

# 2D Desktop Barcode Scanner

MG-4010



Windows



Android



Linux



## Product Features

1. Read all popular 1D and 2D barcodes
2. Read barcodes on screen
3. Plug and play, no driver
4. Compatible with various operating systems
5. IP54 protection rate, solid and reliable

## Product Picture



# Specification

## Mechanical

Weight: 279.5g

Cable Length: 2m

Dimension: 97mm x 104mm x 145mm

## Performance

Light Source: Red LED

Max Decoding Speed: 3m/s

Resolution: 1280\*800

FOV: 70° (tilt), 80° (pitch), 360° rotation

Interface: USB

## Electrical

Interface: USB

Input Voltage: DC 5V±5%

Startup Current: 380 mA

Standby Current: 330 mA

Operation Current: 450 mA

## Environmental

Operation Temperature: -20°C ~ +60°C (-4°F ~ 140°F)

Storage Temperature: -30°C ~+ 70°C (-22°F ~ 158°F)

Humidity: 5% ~ 95% (Non-condensing)

Light Level: 0 ~ 100,000 LUX

## Reliability

Thermal Shock

High Temp: 70 °C

Low Temp: -30 °C

Mechanical Shock

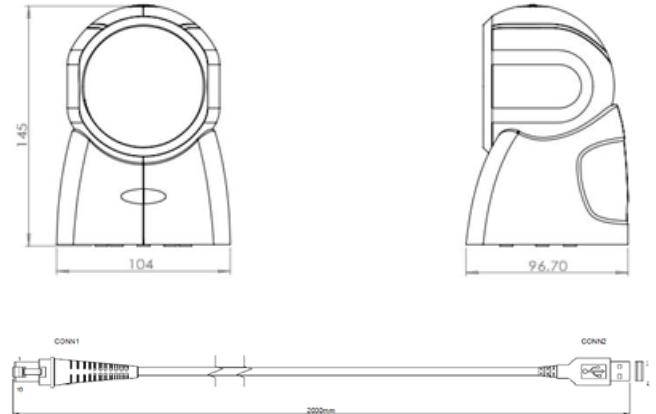
Vibration: 8 G r.m.s., from 10 to 500 Hz, 2 hours per axis, 3 axes

Drop: 0.5m drop test

## DOF

Code	Mils	Min Distance	Max Distance
Code 39	5 mils	0 cm	6.0 cm
	13 mils	0 cm	17.0 cm
PDF 417	15 mils	0 cm	6.0 cm
UPC-A	13 mils	0 cm	15.0cm
QR Code	30mils	0 cm	13.0cm

## Dimension



# Application

This barcode scanner is widely used in supermarket, retail, warehouse, logistics, medical and other fields.



Manufacture



Logistics



Retail,



Express Industry